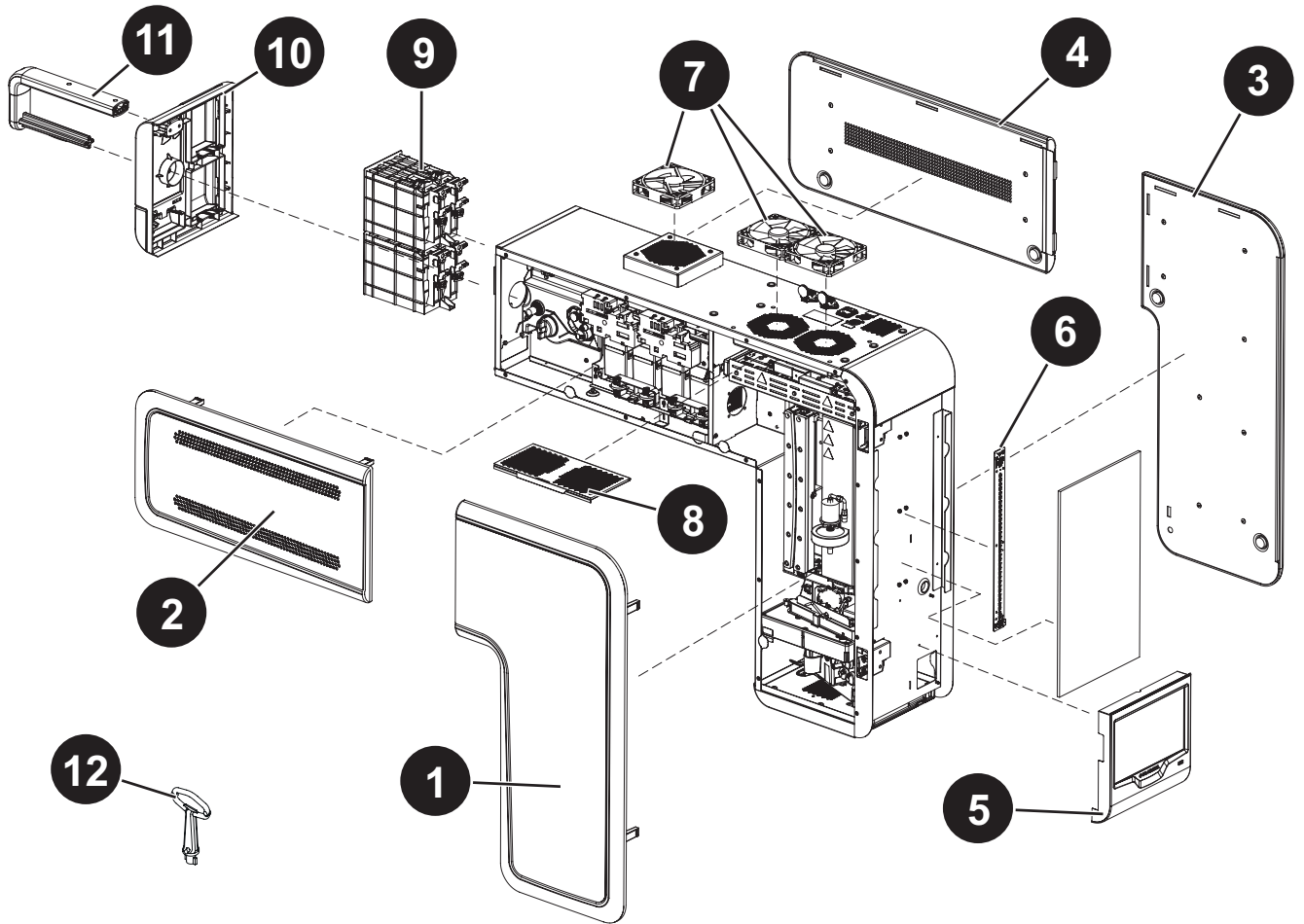




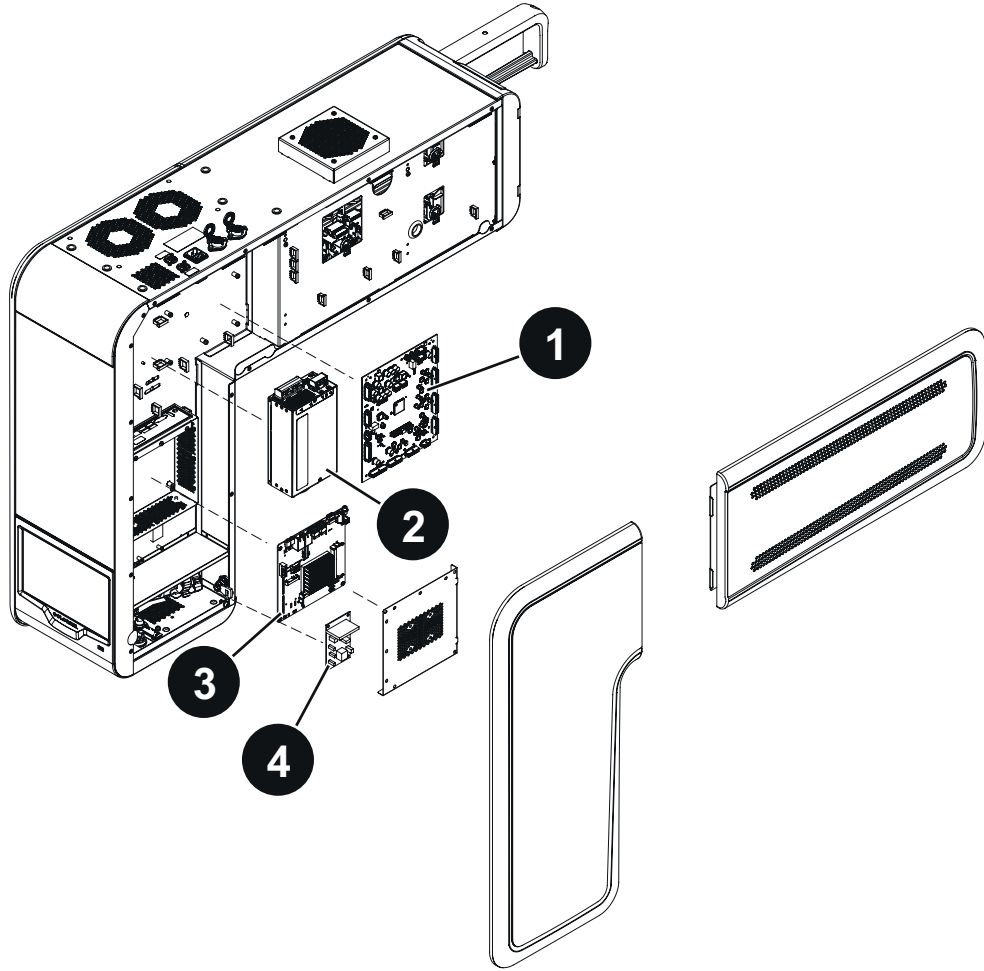
**COLOREEL<sup>®</sup>**

---

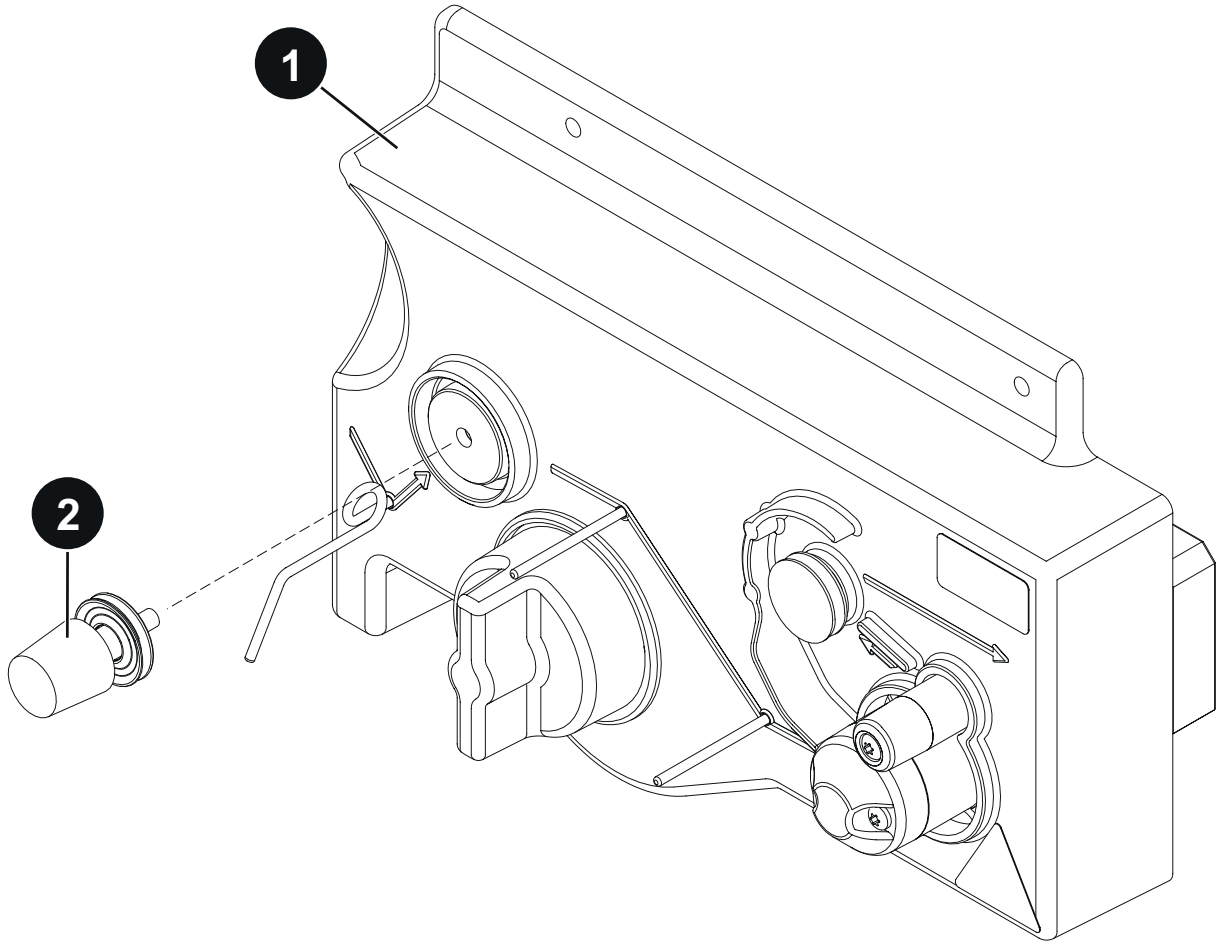
**Illustrated Part List - Coloreel ITCU**



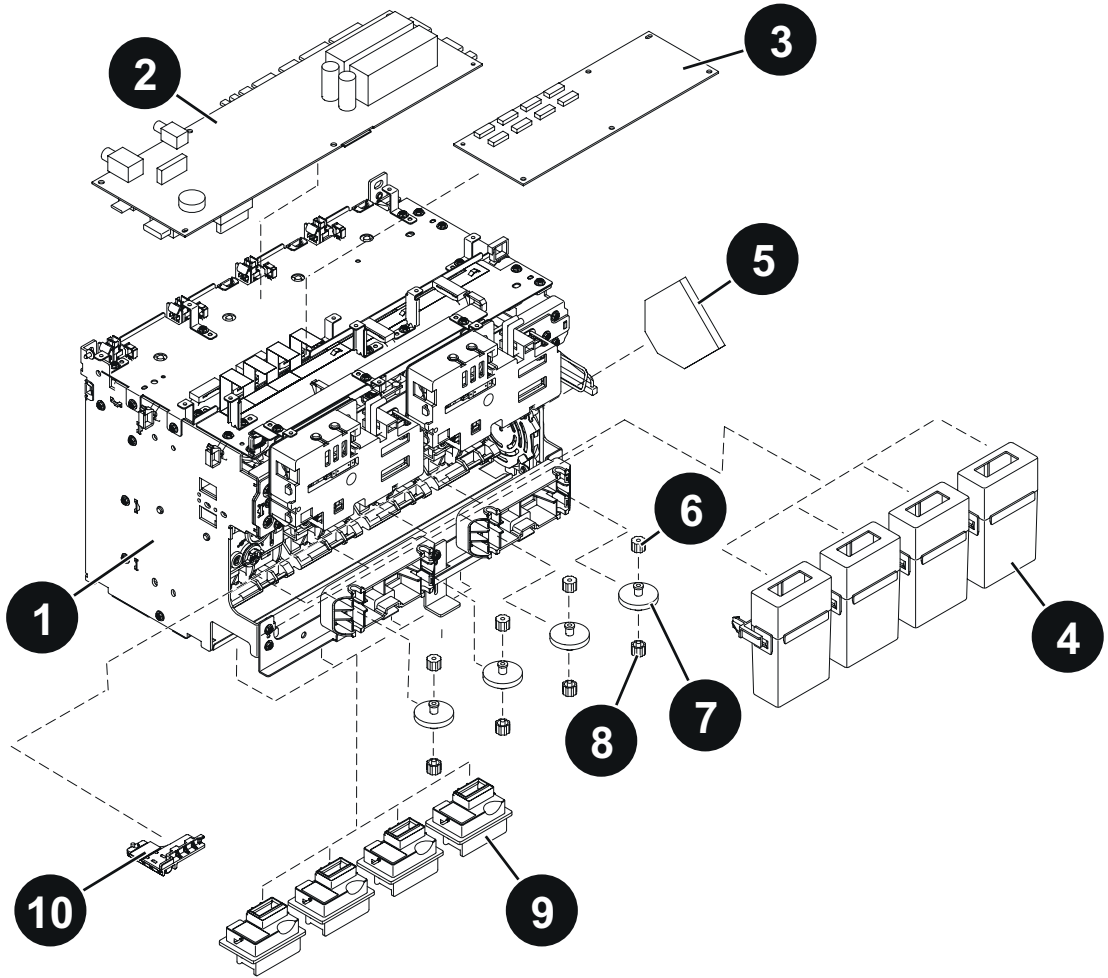
Position	Description	Article number
1	Door, Left	800 201
2	Hatch, Left	800 011
3	Door, Right	800 211
4	Hatch, Right	800 021
5	Display Front	800 241
6	Status LED Strip	800 341
7	Outlet Fan	800 251
8	Top Air Filter Holder	800 261
9	Cartridge Holder	800 051
10	Back Cover And Door	800 361
11	Bobbin Holder	800 221
12	Service Key	800 371



<b>Position</b>	<b>Description</b>	<b>Article number</b>
1	Main Control Board	800 281
2	Power Supply Unit	800 291
3	Computer Board	800 351
4	Ultrasonic Circuit Board	800 271

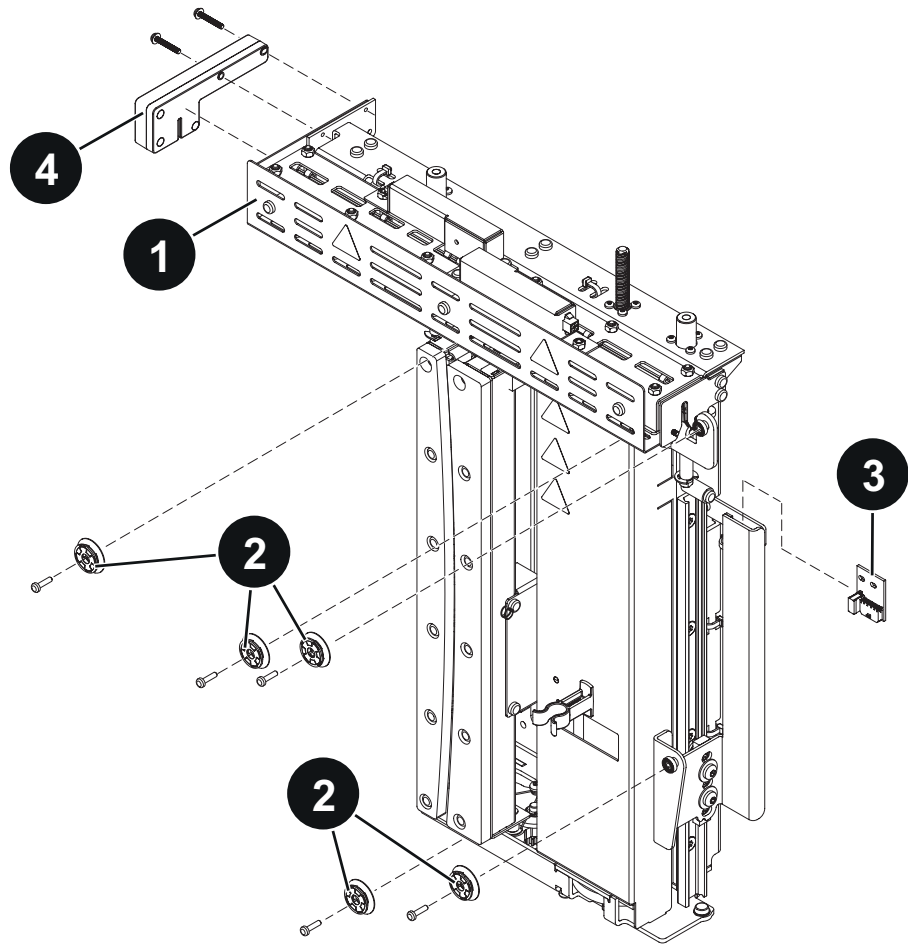


Position	Description	Article number
1	Entry Feeder Module	800 031
2	Thread Tension Regulator	800 231

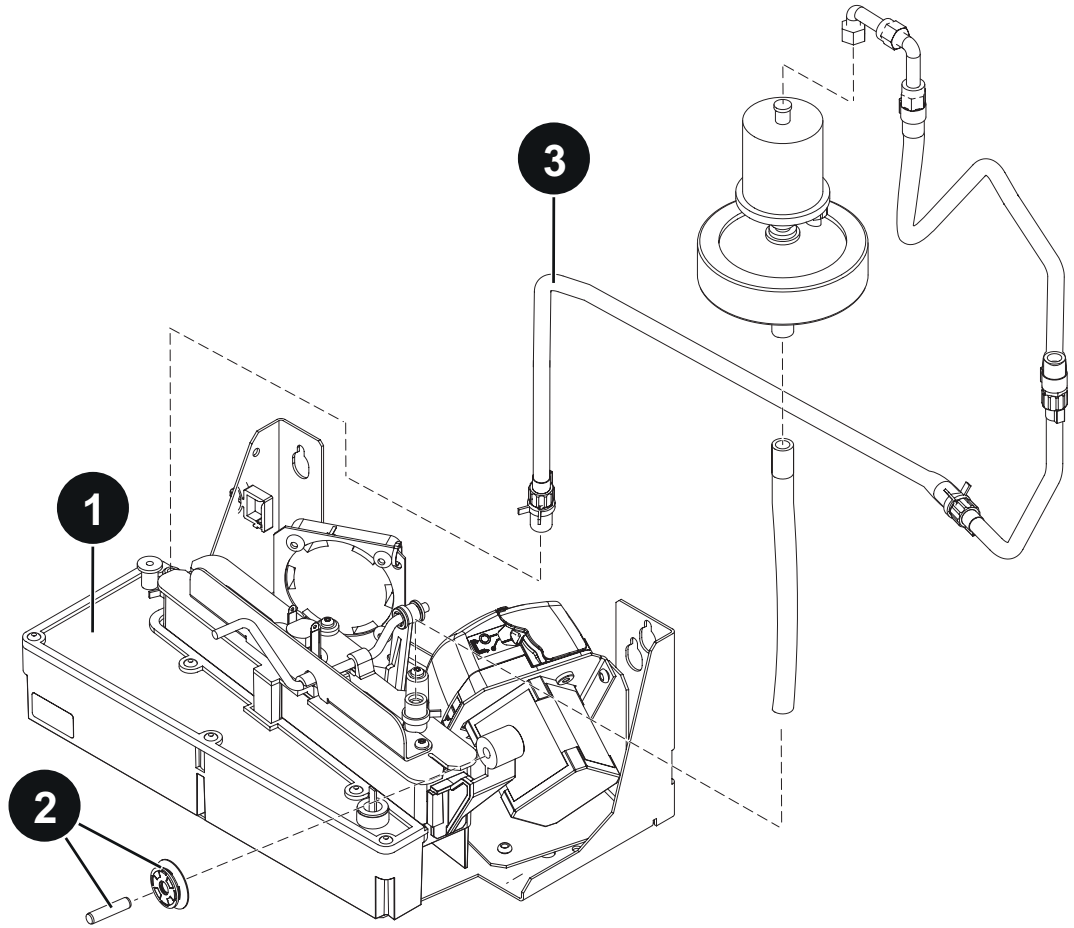




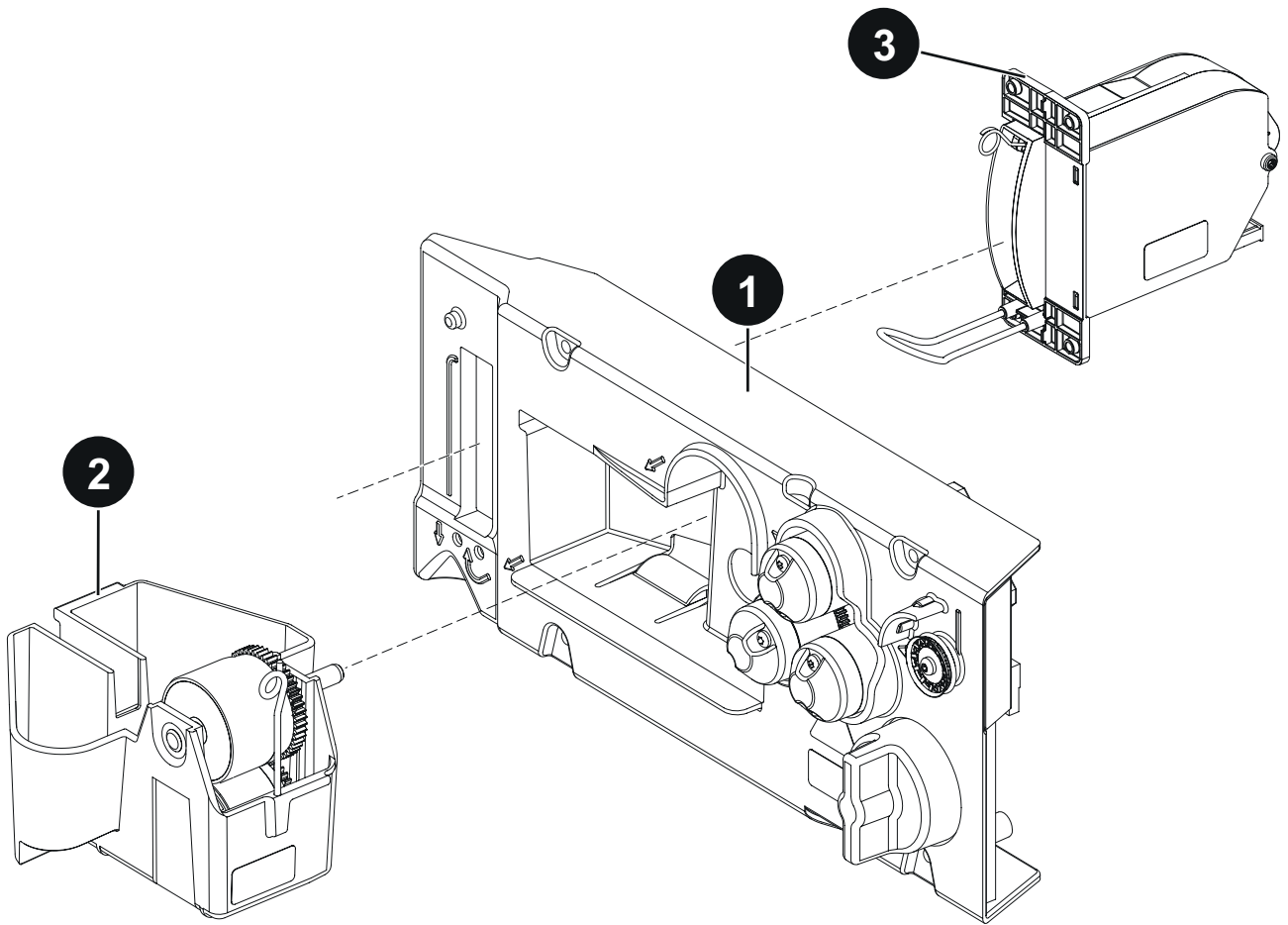
<b>Position</b>	<b>Description</b>	<b>Article number</b>
1	Print Engine Module	800 041
2	Head Driver Board (HDB)	800 091
3	Head Relay Board (HRB)	800 081
4	Ink Residual Cup	800 071
5	Print Engine Air Filter	800 061
6	Ink House Top Coupling	800 131
7	Print Engine Hose Filter	800 111
8	Ink House Bottom Coupling	800 141
9	Print Engine Internal Residual Cup	800 101
10	Thread Damper	800 121



Position	Description	Article number
1	Fixation Module	800 181
2	Thread Guide Wheel	800 321
3	Buffer Sensor Circuit Board	800 311
4	External Thread Color Sensor	800 331



Position	Description	Article number
1	Washing Module	800 191
2	Thread Guide Wheel	800 321
3	Tube Set Washing Module	800 301



Position	Description	Article number
1	Exit Feeder Module	800 151
2	Lubrication Sub Module	800 161
3	Exit Feeder Speed Regulator	800 171